



Wongso Plug In

Wongso Plug In Chiller (WPI Series) consist of compressor, condenser, and evaporator that assembled in one compact unit for medium and low temperature application.

Start with capacity from 0.5 HP to 2 HP using refrigerant R134a for chiller application and R404a for freezer application. Suitable for people who love simple unit and has limited spaces.

*Competent
solution for all
commercial
refrigeration.*

”

CAPACITIES & SPECIFICATIONS

Description	Model	Compressor type	HP	Cooling capacity	Power consumption	Cell volume	Nominal current	Sound pressure level	Weight	Dimension Design
				(W) ¹⁾	(W) ¹⁾	bis (m ³) ²⁾	(A)	(dBA/1m) ³⁾	(kg)	
CHILLER for cold rooms -5°C bis/to +12°C Refrigerant: R134a	WPIC 05	CAJ4461Y	1/2	860	615	11	3.3	58	50	I
	WPIC 07	CAJ4492Y	3/4	1180	890	18	4.8	60	55	I
	WPIC 10	CAJ4511Y	1	1440	990	23	5.3	62	56	I
	WPIC 15	FH4518Y	1 1/2	2000	1300	36	7.1	62	77	II
	WPIC 20	FH4525Y	2	3000	1940	60	10.5	70	82	II
FREEZER for freezer rooms -5°C bis/to -25°C Refrigerant: R404A	WPIF 07	CAJ2432Z	3/4	700	800	8	4.4	62	66	II
	WPIF 10	CAJ2446Z	1	1000	1080	15	5.9	66	72	II
	WPIF 15	CAJ2464Z	1 1/2	1400	1390	26	7.6	66	80	II
	WPIF 20	FH2480Z	2	1800	1940	36	10.5	67	95	II

1) Performance data at ambient temperatures of +32°C and cooler air intake temperature of +5°C to -18°C.

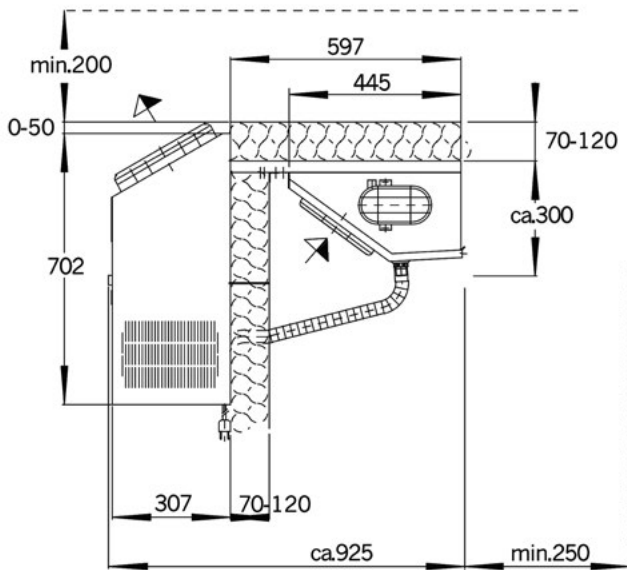
2) The cold store size calculation was made on the basis of the following marginal conditions:

For cold rooms:

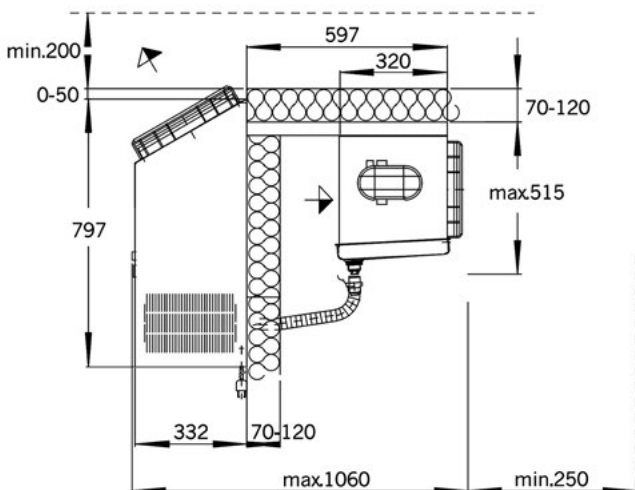
Ambient temperature of cold store: 32°C
 Insulation thickness: 70 mm (k = 0,27 W/m2K)
 Compressor run time: 16 h
 Charge: 30 kg/m³d
 Goods cooling: 15 K

For freezer rooms:

Ambient temperature of cold store: 32°C
 Insulation thickness: 100 mm (k = 0,19 W/m2K)
 Compressor run time: 18 h
 Charge: 30 kg/m³d
 Goods cooling: 4 K



DESIGN I



DESIGN II