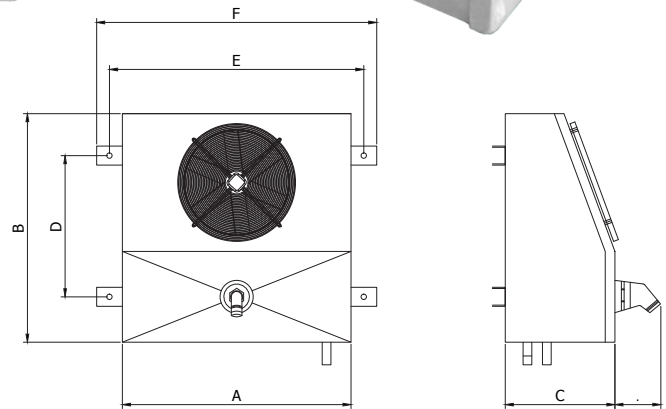
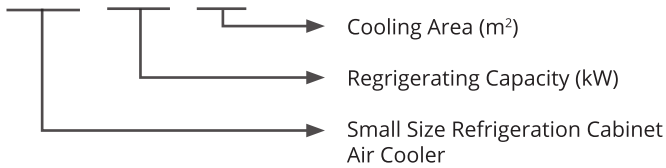




CODE MODEL

WDE - 0.45 / 2.5



CAPACITIES & SPECIFICATIONS

Model	Normal Capacity	Cooling Area	Fan Motor					
			Quantity	Diameter	Power	Air Volume	Voltage	Rotate Speed
			pcs	mm	W	m ³ /h	V	rpm
WDE - 0.45 / 2.5	450	2.5	1	200	40	400	220	1300
WDE - 0.9 / 5.0	900	5.0	2	200	2x40	2x400	220	1300
WDE - 1.35 / 7.5	1350	7.5	3	200	3x40	3x400	220	1300
WDE - 1.8 / 10.0	1800	10.0	4	200	4x40	4x400	220	1300

Model	Defrosting Electric				A	B	C	D	E	F
	Quantity	Power	Voltage	Weight						
	Pcs	W	V	Kg						
WDE - 0.45 / 2.5	1	500	220	7	435	390	150	265	505	525
WDE - 0.9 / 5.0	1	1000	220	11.3	745	390	150	265	815	835
WDE - 1.35 / 7.5	1	1500	220	15.6	1055	390	150	265	1125	1145
WDE - 1.8 / 10.0	1	2000	220	19.9	1365	390	150	265	1125	1455